

**SGD770A HP IMPACT RESISTANT SLIDING GLASS DOOR WITH ANCHORLESS JAMBS AND HEAD RECEPTOR**

FLORIDA PRODUCT APPROVAL #33106

DESIGN PRESSURE RATING	IMPACT RATING
<b>+63/-78 PSF</b>	RATED FOR LARGE & SMALL MISSILE IMPACT RESISTANCE

- THIS PRODUCT HAS BEEN DESIGNED & TESTED TO COMPLY WITH THE REQUIREMENTS OF THE CURRENT FLORIDA BUILDING CODE, INCLUDING THE HIGH VELOCITY HURRICANE ZONE (HVHZ).
- SHUTTERS ARE NOT REQUIRED WHEN USED IN WIND-BORNE DEBRIS REGIONS.
- MASONRY ANCHORS MAY BE USED INTO WOOD AS PER TABLE 1. ALL WOOD BUCKS LESS THAN 1-1/2" THICK ARE TO BE CONSIDERED 1X INSTALLATIONS. 1X WOOD BUCKS ARE OPTIONAL IF UNIT IS INSTALLED DIRECTLY TO SUBSTRATE. WOOD BUCKS DEPICTED AS 2X ARE 1-1/2" THICK OR GREATER. 1X AND 2X BUCKS (WHEN USED) SHALL BE DESIGNED TO PROPERLY TRANSFER LOADS TO THE STRUCTURE. WOOD BUCK DESIGN AND INSTALLATION IS THE RESPONSIBILITY OF THE ENGINEER OR ARCHITECT OF RECORD.
- ANCHOR EMBEDMENT TO BASE MATERIAL SHALL BE BEYOND WALL DRESSING OR STUCCO. USE ANCHORS OF SUFFICIENT LENGTH. INSTALLATION ANCHORS SHOULD BE SEALED. OVERALL SEALING/FLASHING STRATEGY FOR WATER RESISTANCE OF INSTALLATION SHALL BE DONE BY OTHERS AND IS BEYOND THE SCOPE OF THESE INSTRUCTIONS.
- SHIMS ARE REQUIRED AT EACH ANCHOR LOCATION WHERE THE PRODUCT IS NOT FLUSH TO THE SUBSTRATE. USE SHIMS CAPABLE OF TRANSFERRING APPLIED LOADS. WOOD BUCKS, BY OTHERS, MUST BE SUFFICIENTLY ANCHORED TO RESIST LOADS IMPOSED ON THEM BY THE DOOR.
- THE ANCHORAGE METHODS SHOWN HAVE BEEN DESIGNED TO RESIST THE WIND LOADS CORRESPONDING TO THE REQUIRED DESIGN PRESSURE. THE 33-1/3% STRESS INCREASE HAS NOT BEEN USED IN THE DESIGN OF THIS PRODUCT. THE 1.6 LOAD DURATION FACTOR WAS USED FOR THE EVALUATION OF ANCHORS INTO WOOD. ANCHORS THAT COME INTO CONTACT WITH OTHER DISSIMILAR MATERIALS SHALL MEET THE REQUIREMENTS OF THE FLORIDA BUILDING CODE FOR CORROSION RESISTANCE.

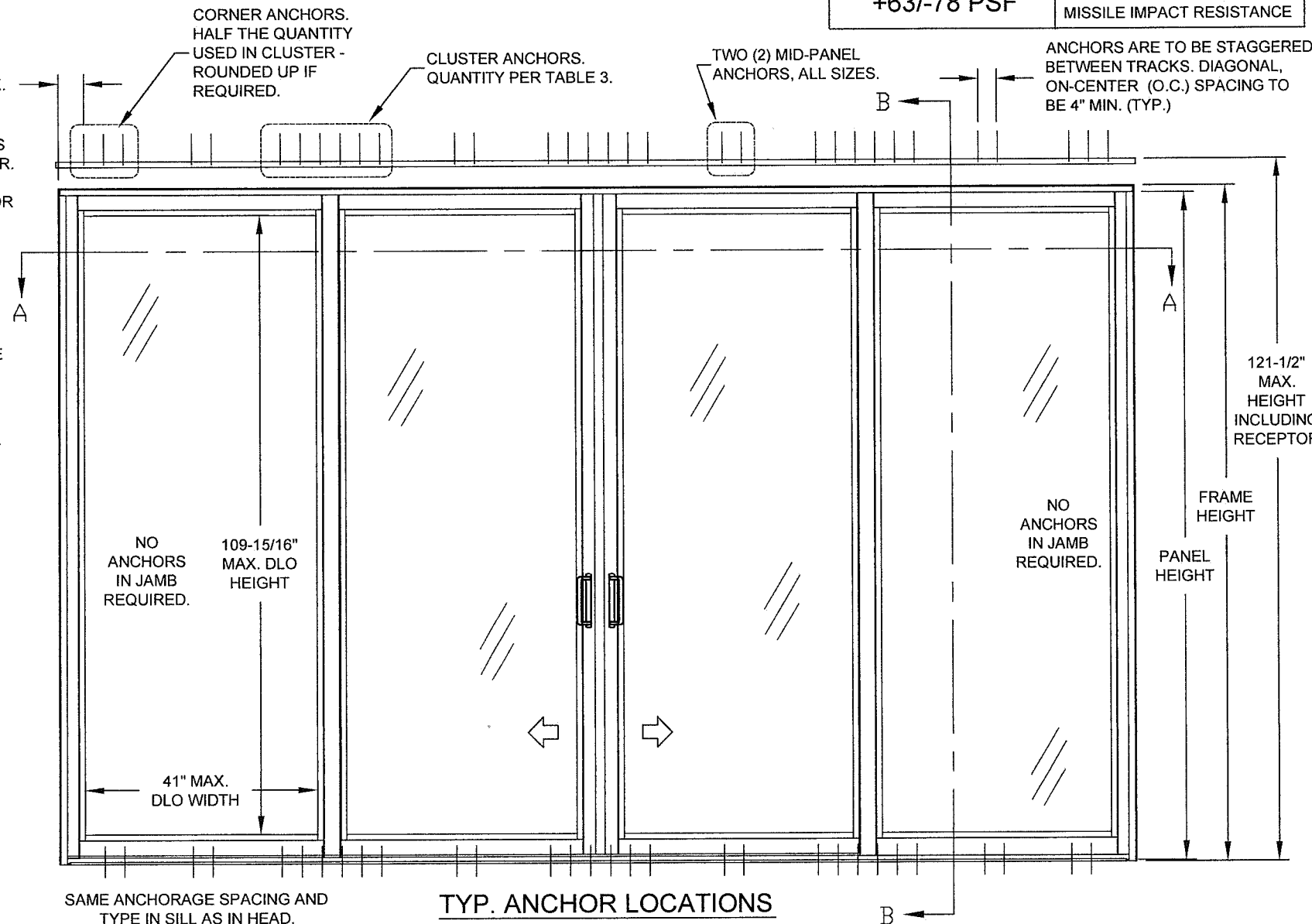


TABLE 1:

Anchor	Substrate	Minimum Edge Distance	Minimum Embedment
#12 SMS Screw (G5); Steel, 18-8 SS or 410 SS	Southern Pine (SG = .55)	9/16"	1-3/8"
	Aluminum, 6063-T5 min.	3/8"	1/16"
	Steel Stud, 18 Ga., Gr. 33 min.	3/8"	0.045"
1/4" DeWalt Ultracon+	A36 Steel	3/8"	0.050"
	Concrete (min. 3.00 ksi)	1-1/4"	1-3/8"
1/4" Elco Ultracon	Concrete (min. 2.85 ksi)	1"	1-3/8"
	Southern Pine (SG = .55)	1"	1-3/8"
1/4" DeWalt Ultracon+	Concrete (min. 3.00 ksi)	2-1/2"	1-3/8"
	Southern Pine (SG = .55)	1"	1-3/8"
1/4" Elco 410 SS CreteFlex	Concrete (min. 3.35 ksi)	1"	1-3/4"
	Southern Pine (SG = .55)	1"	1-3/8"
1/4" Elco SS Aggre-gator	Concrete (min. 2.22 ksi)	1-1/2"	1-3/8"
	Southern Pine (SG = .55)	1"	1-3/8"

- ANCHOR MUST EXTEND A MINIMUM OF 3 THREADS BEYOND ANY METAL SUBSTRATE.
- ANY ANCHOR HEAD TYPE IS APPLICABLE.

TABLE 2:

Sill Height to Max. (+) DP (Water Infiltration Rating)	
Sill Riser Height (Flat or Box, see Sheet 5)	(+) Design Pressure, psf
Flush - 1-1/2"	See Note B
Low - 2-1/2"	+ 46.67
Medium - 3-1/4"	+ 60.0
High - 4"	+ 63.0

A) IF WATER INFILTRATION RESISTANCE IS REQUIRED, THE LESSER VALUES OF EITHER TABLE 2 OR +63.0 PSF DETERMINES THE WATER LIMITED (+) DP.

B) THE 1-1/2" SILL RISERS, MAY ONLY BE USED WHERE WATER INFILTRATION RESISTANCE IS NOT REQUIRED OR OVERHANG IS PER FIG 1. IF SO, +63.0 PSF MAY BE USED.

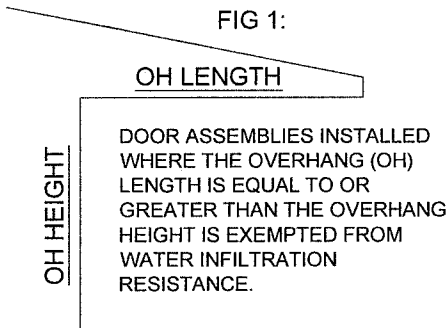


TABLE 3:

Anchor Cluster Quantities at Head & Sill	Height including Receptor								
	81-1/2"	85-1/2"	91-1/2"	97-1/2"	103-1/2"	109-1/2"	115-1/2"	121-1/2"	
	Frame Height								
	80"	84"	90"	96"	102"	108"	114"	120"	
Panel Norm. Width	Panel Height								
	78-1/8"	82-1/8"	88-1/8"	94-1/8"	100-1/8"	106-1/8"	112-1/8"	118-1/8"	
	30"	23" DLO	2	2	2	2	3	3	3
	36"	29" DLO	2	2	3	3	3	4	4
42"	35" DLO	3	3	3	4	4	4	5	
48"	41" DLO	4	4	4	5	5	5	6	

1) MAXIMUM OF 4 PANELS ALLOWED. SEE TABLE 3 FOR MAX. ALLOWABLE PANEL DLO WIDTH AND HEIGHT.

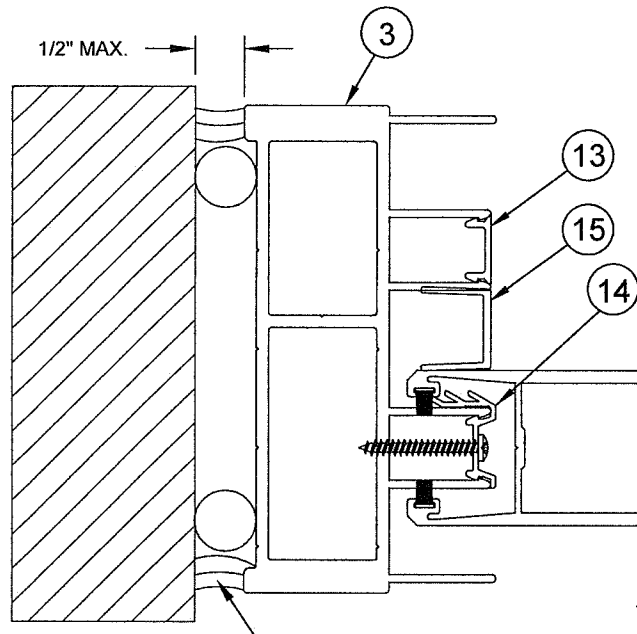
2) FOR INSTALLATIONS IN THE HVHZ, MAXIMUM FRAME AREA OF 197.97 SQUARE FEET MAY NOT BE EXCEEDED.

3) SAMPLE CONFIGURATIONS INCLUDE: OX, XO, OXO, OXX, XXO & OXOX.

Revision:

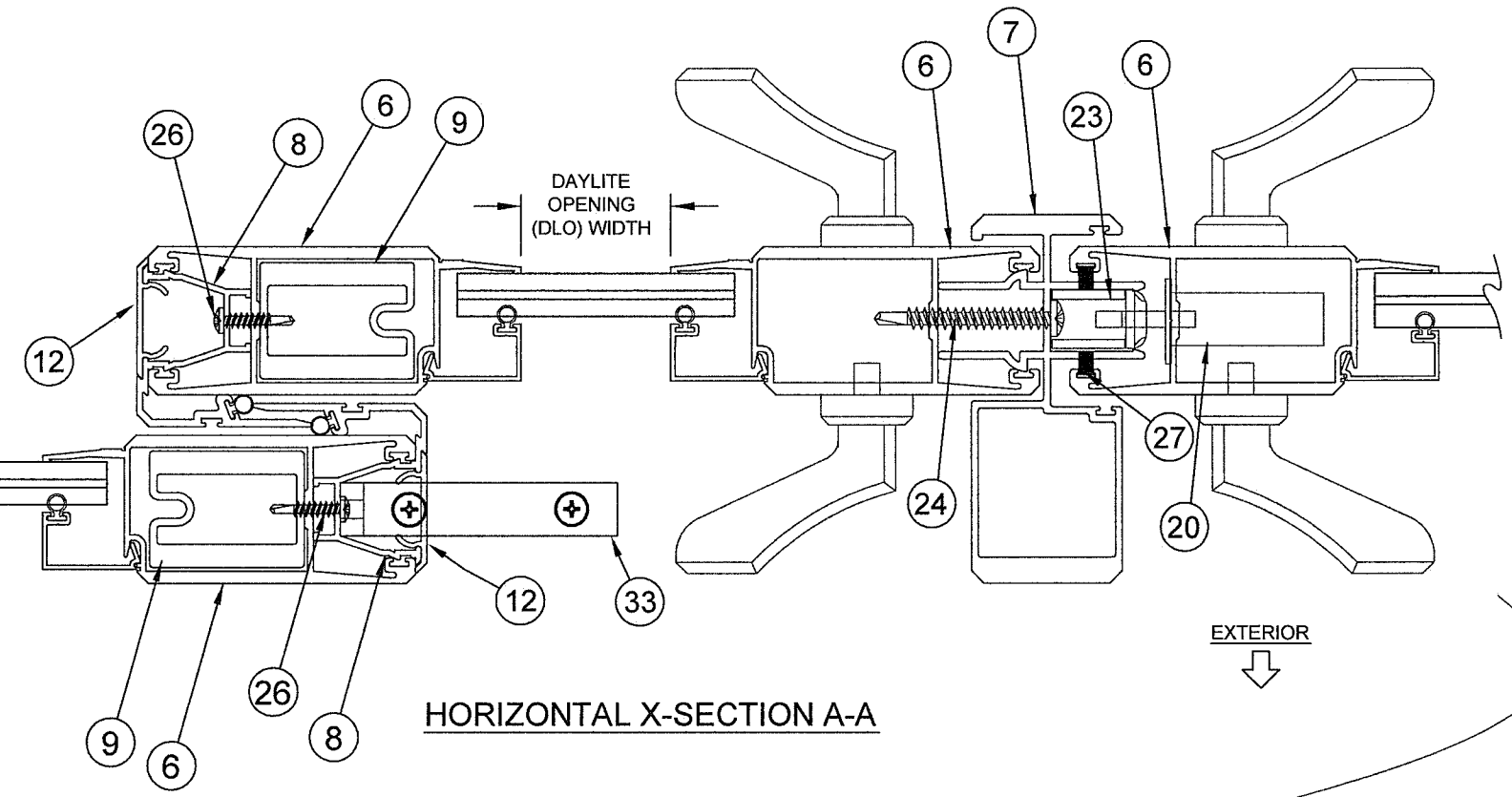
PREPARED BY A. LYNN MILLER 1070 TECHNOLOGY DRIVE N. VENICE, FL 34275 (941) 480-1600	REGISTRATION #29296	08/08/20	JENS ROSOWSKI ELEV., ANCHORS, DP & GEN. NOTES SGD770-LM-FPA1
	COPYRIGHT © 2020 PGT INDUSTRIES, INC. LIMITED LICENSE TO MAKE COPIES FOR PERMITTING.	SERIES 770 ALUM. SGD, ANCHORLESS JAMB (LM) ELEV., ANCHORS, DP & GEN. NOTES	
1070 TECHNOLOGY DRIVE N. VENICE, FL 34275 (941) 480-1600		1 OF 5 Sheet	

ANTHONY LYNN MILLER  
 LICENSE  
 No. 58705  
 STATE OF FLORIDA  
 PROFESSIONAL ENGINEER  
 A. LYNN MILLER, P.E.  
 P.E.# 58705



100% EXTENSION JOINT MOVEMENT CAPABLE SEALANT (BY OTHERS) REQUIRED AT JAMBS. SEALANT MUST BE COMPATIBLE WITH ALL ADJACENT MATERIALS.

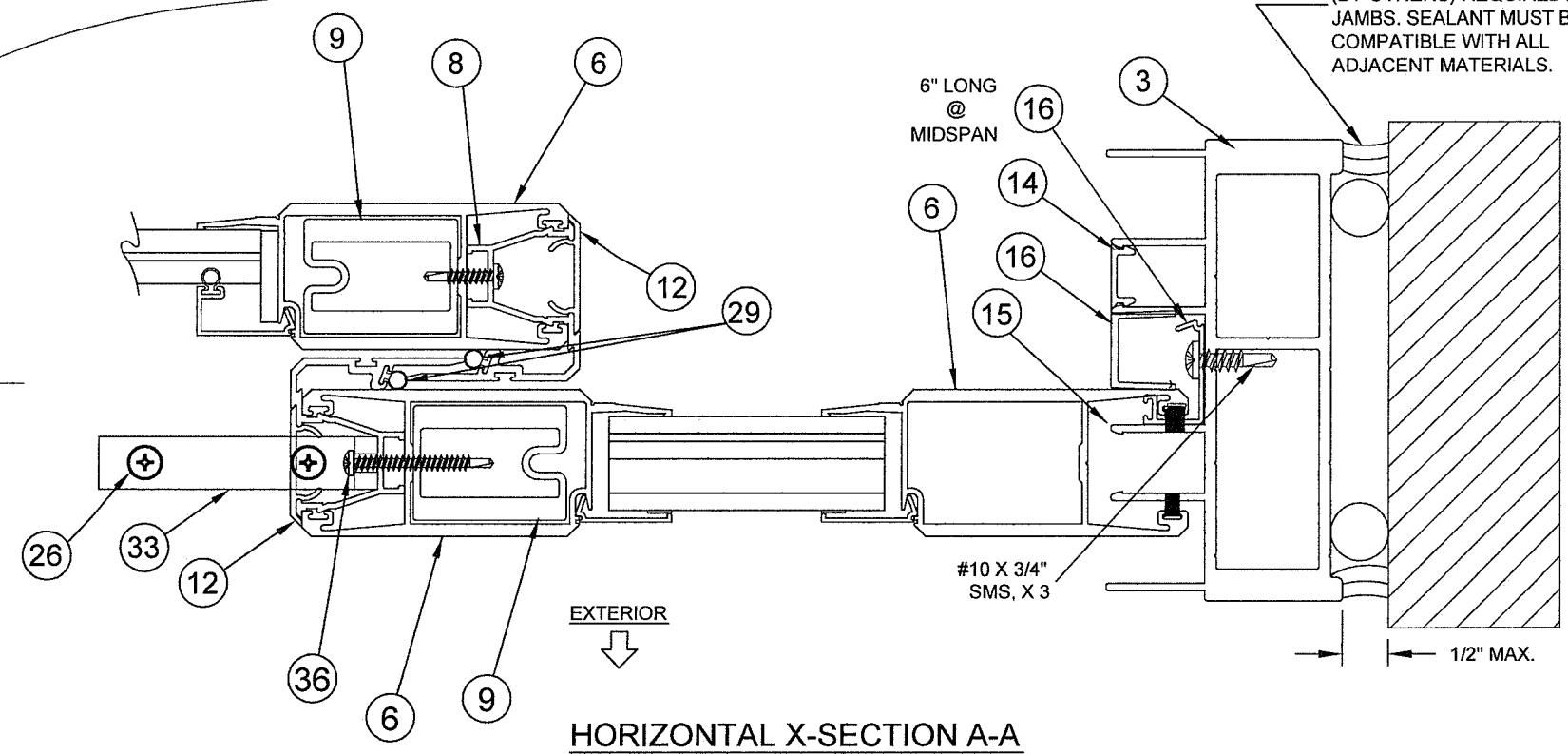
EXTERIOR  
↓



HORIZONTAL X-SECTION A-A

EXTERIOR  
↓

100% EXTENSION JOINT MOVEMENT CAPABLE SEALANT (BY OTHERS) REQUIRED AT JAMBS. SEALANT MUST BE COMPATIBLE WITH ALL ADJACENT MATERIALS.

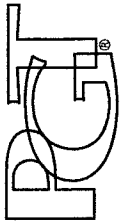


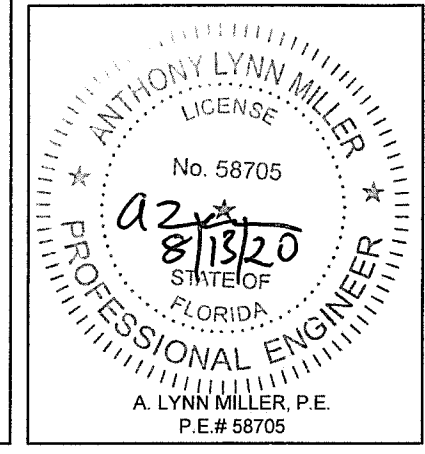
EXTERIOR  
↓

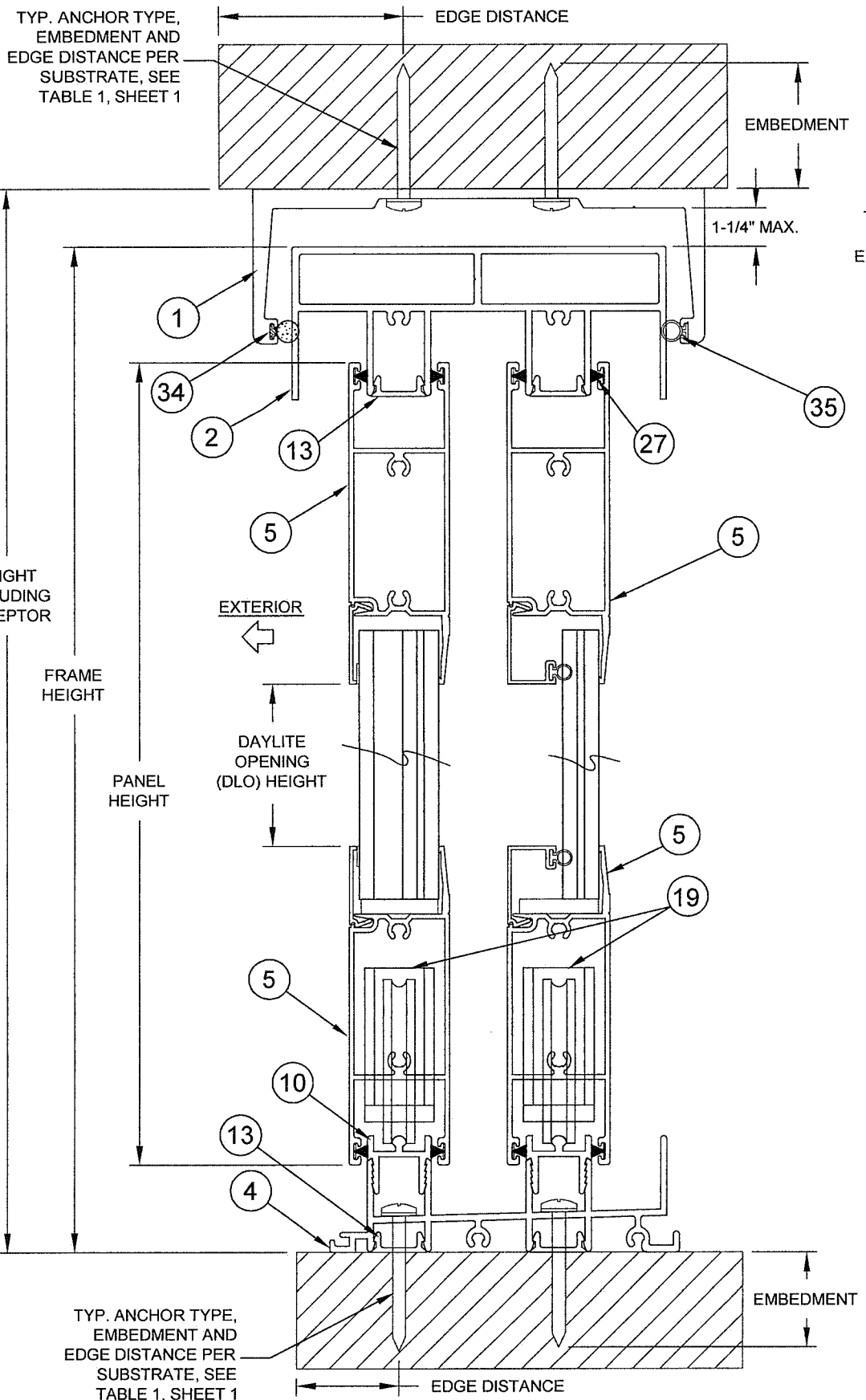
HORIZONTAL X-SECTION A-A

1/2" MAX.

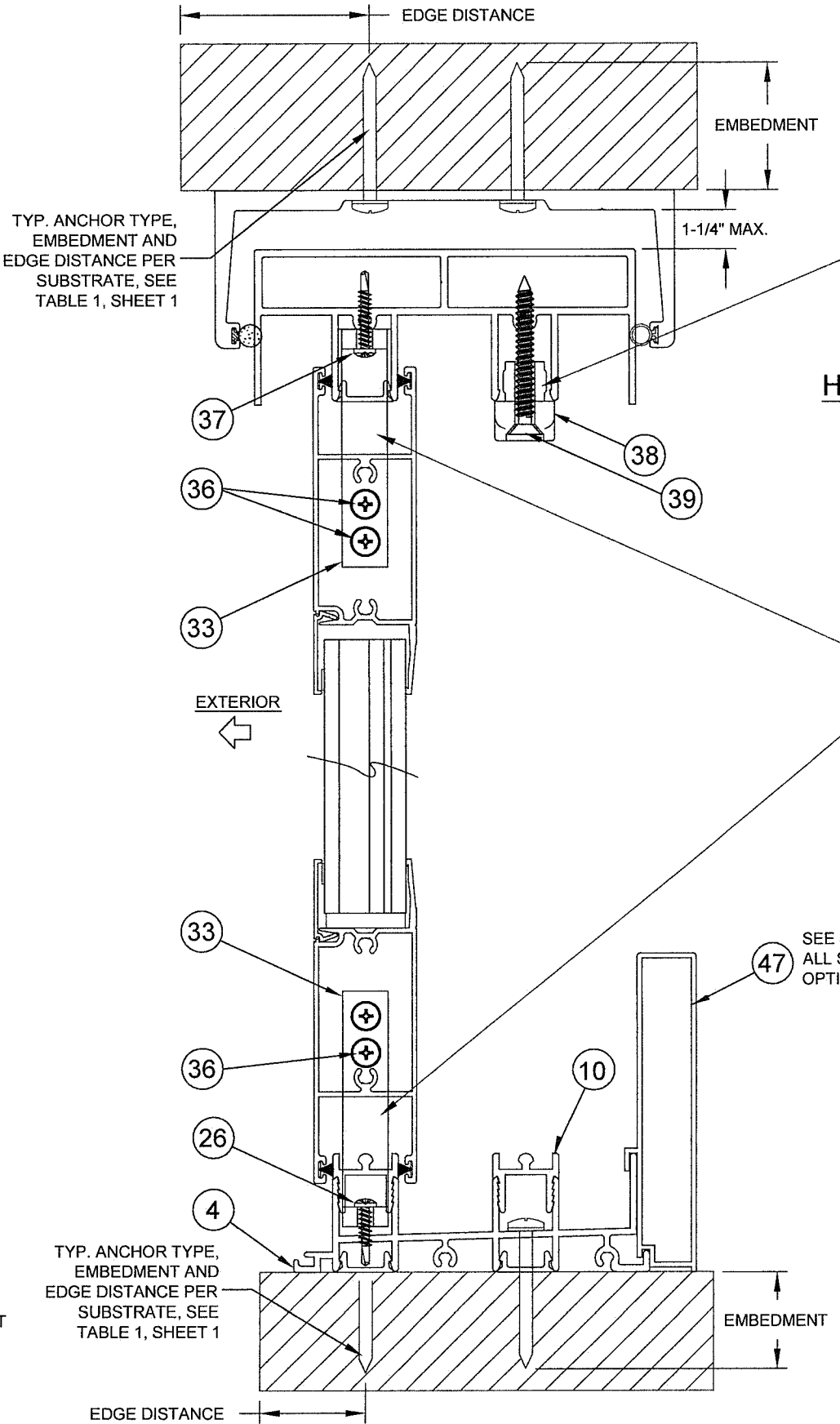
**INSTALLATION NOTES:**  
 1) USE ONLY SUBSTRATE APPROPRIATE ANCHORS LISTED IN TABLE 1. FOLLOW EMBEDMENT, EDGE DISTANCE AND SUBSTRATE REQUIREMENTS PER TABLE 1, SHEET 1. ANY INSTALLATION OPTION SHOWN MAY BE USED ON ANY FRAME MEMBER. ALL ANCHOR HEAD TYPES ARE ALLOWED.  
 2) MASONRY ANCHORS MAY BE USED INTO WOOD AS PER TABLE 1. ALL WOOD BUCKS LESS THAN 1-1/2" THICK ARE TO BE CONSIDERED 1X INSTALLATIONS. 1X WOOD BUCKS ARE OPTIONAL IF UNIT IS INSTALLED DIRECTLY TO SUBSTRATE. WOOD BUCKS DEPICTED AS 2X ARE 1-1/2" THICK OR GREATER. 1X AND 2X BUCKS (WHEN USED) SHALL BE DESIGNED TO PROPERLY TRANSFER LOADS TO THE STRUCTURE. WOOD BUCK DESIGN AND INSTALLATION IS THE RESPONSIBILITY OF THE ENGINEER OR ARCHITECT OF RECORD.

Revision:	
PREPARED BY A. LYNN MILLER 1070 TECHNOLOGY DRIVE N. VENICE, FL 34275 (941) 480-1600	REGISTRATION #29296 COPYRIGHT © 2020 PGT INDUSTRIES, INC., LIMITED LICENSE TO MAKE COPIES FOR PERMITTING.
	SERIES 770 ALUM. SGD, ANCHORLESS JAMB (LM) HORIZONTAL CROSS SECTION SGD770A HP
Date: 08/08/20 Drawn By: JENS ROSOWSKI No.: 2 OF 5 DWG No.: SGD770-LM-FPA1	Date: 08/08/20 Title: HORIZONTAL CROSS SECTION Sheet: 2 OF 5



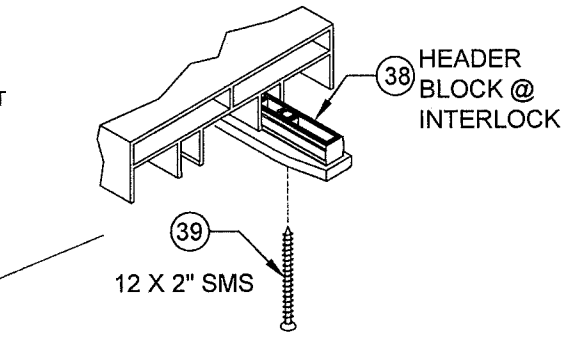


**VERTICAL X-SECTION B-B**

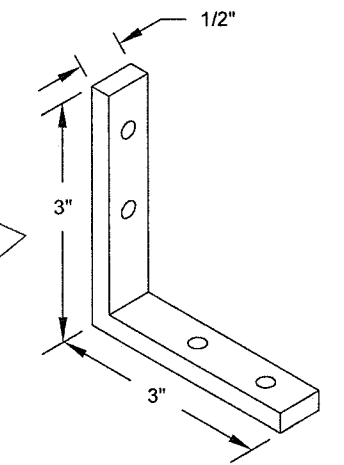


**VERTICAL X-SECTION B-B**

SHOWN WITH O-PANEL BRACKETS @ INTERLOCK (HEAD & SILL) AND OPTIONAL SILL RISERS.



**HEADER BLOCK ISO VIEW**



**33 "O" PANEL BRACKET**

SEE SHEET 5 FOR ALL SILL RISER OPTIONS.

**INSTALLATION NOTES:**  
 1) USE ONLY SUBSTRATE APPROPRIATE ANCHORS LISTED IN TABLE 1. FOLLOW EMBEDMENT, EDGE DISTANCE AND SUBSTRATE REQUIREMENTS PER TABLE 1, SHEET 1. ANY INSTALLATION OPTION SHOWN MAY BE USED ON ANY FRAME MEMBER. ALL ANCHOR HEAD TYPES ARE ALLOWED AT THE HEAD AND JAMBS; FLATHEAD ANCHORS REQUIRED AT THE SILL.

2) MASONRY ANCHORS MAY BE USED INTO WOOD AS PER TABLE 1. ALL WOOD BUCKS LESS THAN 1-1/2" THICK ARE TO BE CONSIDERED 1X INSTALLATIONS. 1X WOOD BUCKS ARE OPTIONAL IF UNIT IS INSTALLED DIRECTLY TO SUBSTRATE. WOOD BUCKS DEPICTED AS 2X ARE 1-1/2" THICK OR GREATER. 1X AND 2X BUCKS (WHEN USED) SHALL BE DESIGNED TO PROPERLY TRANSFER LOADS TO THE STRUCTURE. WOOD BUCK DESIGN AND INSTALLATION IS THE RESPONSIBILITY OF THE ENGINEER OR ARCHITECT OF RECORD.

Revision:
-----------

Revision:
-----------

PREPARED BY A. LYNN MILLER 1070 TECHNOLOGY DRIVE N. VENICE, FL 34275 (941) 480-1600	REGISTRATION #29296 COPYRIGHT © 2020 PGT INDUSTRIES, INC., LIMITED LICENSE TO MAKE COPIES FOR PERMITTING.	Date: 08/08/20 Drawn By: JENS ROSOWSKI No. 3 OF 5 DWG No. SGD770-LM-FPA1
1070 TECHNOLOGY DRIVE N. VENICE, FL 34275 (941) 480-1600		Date: 08/08/20 Drawn By: JENS ROSOWSKI No. 3 OF 5 DWG No. SGD770-LM-FPA1
SERIES 770 ALUM. SGD, ANCHORLESS JAMB (LM)		Date: 08/08/20 Drawn By: JENS ROSOWSKI No. 3 OF 5 DWG No. SGD770-LM-FPA1
VERTICAL CROSS SECTION		Date: 08/08/20 Drawn By: JENS ROSOWSKI No. 3 OF 5 DWG No. SGD770-LM-FPA1
SGD770A HP		Date: 08/08/20 Drawn By: JENS ROSOWSKI No. 3 OF 5 DWG No. SGD770-LM-FPA1

ANTHONY LYNN MILLER  
 LICENSE  
 No. 58705  
 8/13/20  
 STATE OF FLORIDA  
 PROFESSIONAL ENGINEER  
 A. LYNN MILLER, P.E.  
 P.E.# 58705

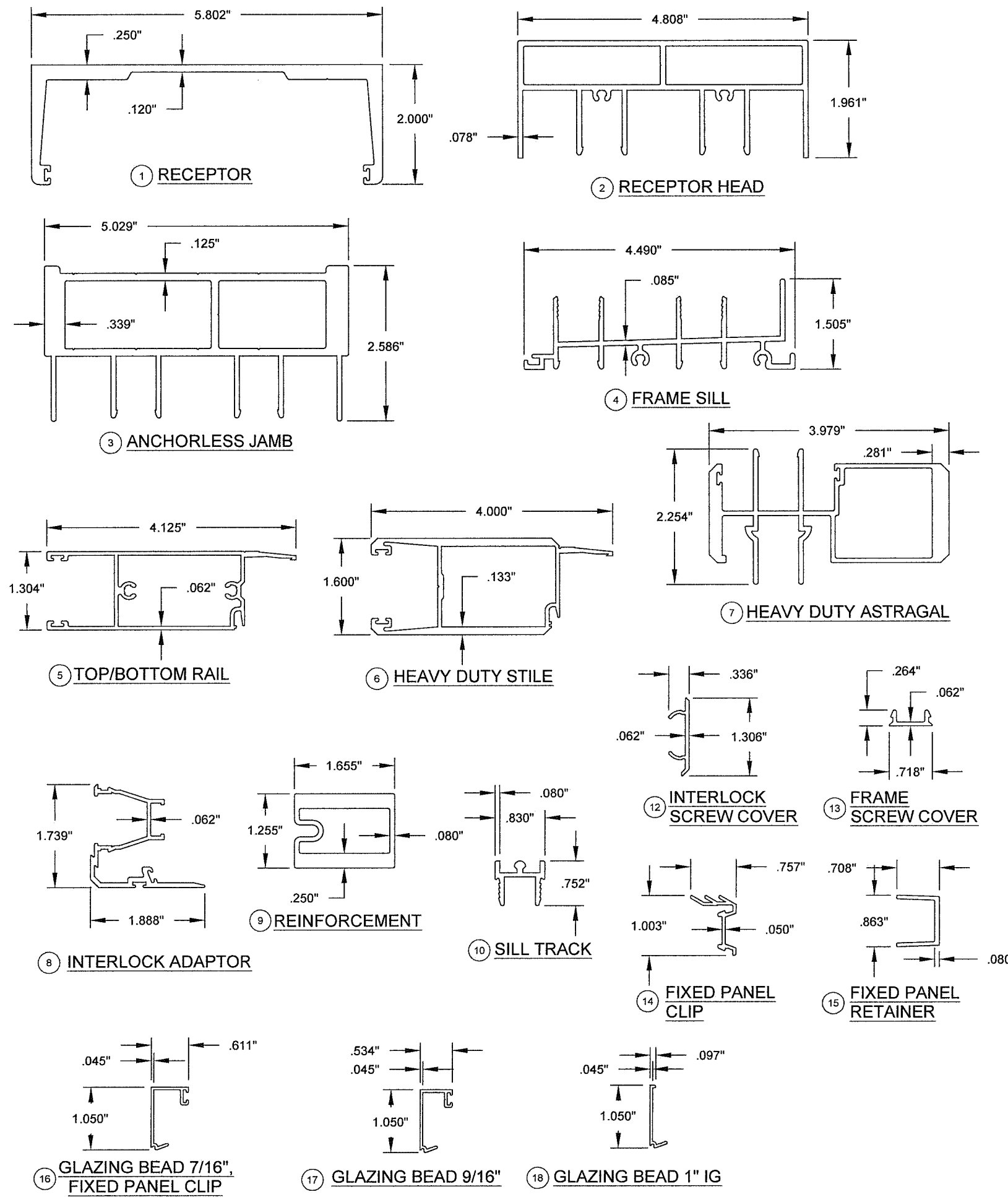


TABLE 4:

#	PART#	DESCRIPTION	MATERIAL
1	617400	RECEPTOR	6063-T6
2	617402	RECEPTOR HEAD	6063-T6
3	617401	ANCHORLESS JAMB	6063-T6
4	617304	2-TRACK FRAME SILL	6063-T6
5	617324	TOP/BOTTOM RAIL	6063-T6
6	617326	HEAVY DUTY STILE	6063-T6
7	617339	HEAVY DUTY ASTRAGAL	6063-T6
8	617327	INTERLOCK ADAPTOR	6063-T6
9	617346	REINFORCEMENT	6063-T6
10	617313	SILL TRACK	6063-T6
12	617328	INTERLOCK SCREW COVER	6063-T6
13	617314	FRAME SCREW COVER	6063-T6
14	617344	FIXED PANEL CLIP	6063-T6
15	617352	FIXED PANEL RETAINER	6063-T6
16	617359	GLAZING BEAD 7/16"	6063-T6
17	617360	GLAZING BEAD 9/16"	6063-T6
18	617357	GLAZING BEAD 1" IG	6063-T6
19	78153X	TANDEM ROLLER ASSEMBLY	S/S
20	78185X	GEMINI MORTICE DUAL LOCK	
21	71032X1FPFX	#10-32 X 1" FL SCREW F TIP	S/S
22	7103239	10-32 STEEL ZINC U-NUT	STEEL/ZINC
23	78186X	1" KEEPER	
24	710X115PPX	#10 X 1-1/2" PHP SMS TEK	S/S
25		#8 X 1-1/4" PHP SMS	S/S
26	710X34PPSDAX	#10 X 3/4" PHP SMS TEK	S/S
27	64066	.187 X .230 FIN SEAL	PILE
28	6TP247K	GLAZING BULB	PVC
29	6TP248	BULB WEATHERSTRIP	PVC
30	61745	1/2" X 1/16" SGL SIDE ADH TAPE	POLYETH
31	1725	1/2" X 4" X 1/16" SETTING BLOCK	
32	1726	1" X 4" X 1/16" SETTING BLOCK	
33	617353	3" X 3" X 1/2" x 1/4" THICK O PANEL BRACKET	6063-T6
34	61643	3/16"X 3/8" FOAM FILLED BULB WSTRIP	
35	67070	3/16"X .350" TALL HOLLOW BULB WSTRIP	
36		#10 X 1 1/2" PHP SMS TEK	S/S
37		#10 X 1" PHP SMS TEK	S/S
38	419042	HEADER BLOCK	NYLON
39		#12 X 2" FHP SMS	S/S
40	17322	SILL RISER, FLAT - 1-1/2"	6063-T6
41	17321	SILL RISER, FLAT - 2-1/2"	6063-T6
42	17355	SILL RISER, FLAT - 3-1/4"	6063-T6
43	17323	SILL RISER, FLAT - 4"	6063-T6
44	17319	SILL RISER, BOX - 1-1/2"	6063-T6
45	17318	SILL RISER, BOX - 2-1/2"	6063-T6
46	17354	SILL RISER, BOX - 3-1/4"	6063-T6
47	17320	SILL RISER, BOX - 4"	6063-T6
48		Kommerling 4SG TPS Spacer System	
49		Quanex Super Spacer nXT with Hot Melt Butyl	
50		Quanex Duraseal Spacer	
51		Cardinal XL Edge Spacer	
52		RGS-7700, DOW 791, 899, 983 OR 995	SILICONE

Revision:

---

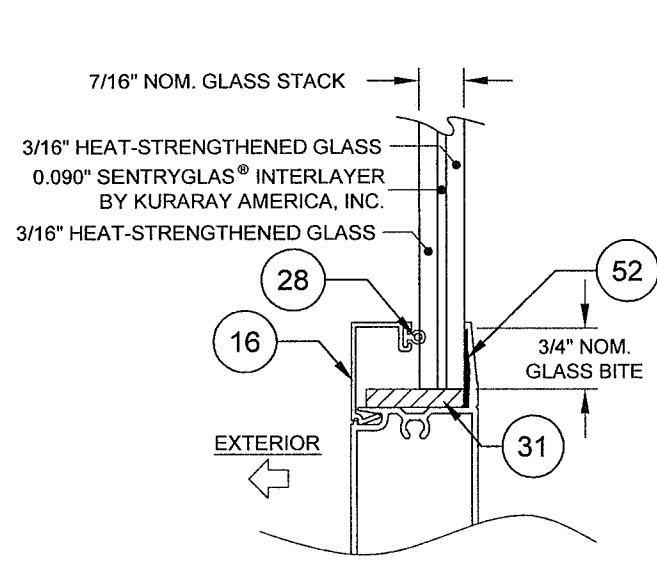
PREPARED BY A. LYNN MILLER 1070 TECHNOLOGY DRIVE N. VENICE, FL 34275 (941) 480-1600	REGISTRATION #29296 COPYRIGHT © 2020 PGT INDUSTRIES, INC., LIMITED LICENSE TO MAKE COPIES FOR PERMITTING.	Date: 08/08/20	Drawn By: JENS ROSOWSKI	Rev:	S/GD770-LM-FPA1
--	---	----------------	-------------------------	------	-----------------

---

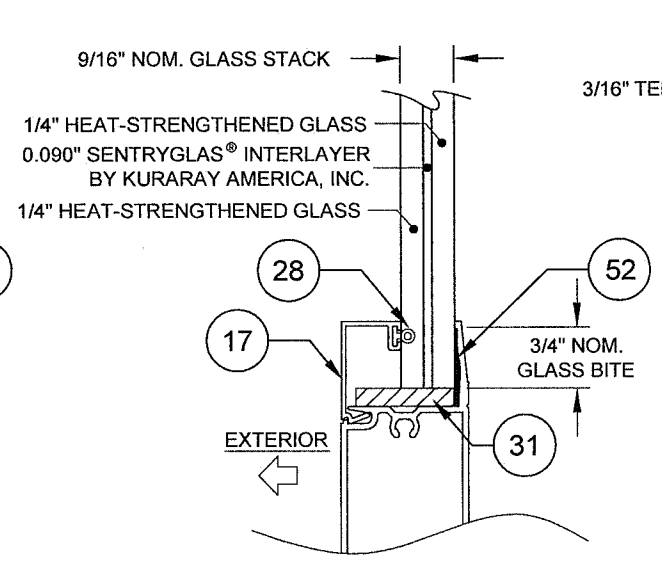
	SERIES 770 ALUM. SGD, ANCHORLESS JAMB (LM)	Date: 08/08/20	Drawn By: JENS ROSOWSKI	Rev:	S/GD770A HP
--	--	----------------	-------------------------	------	-------------

---

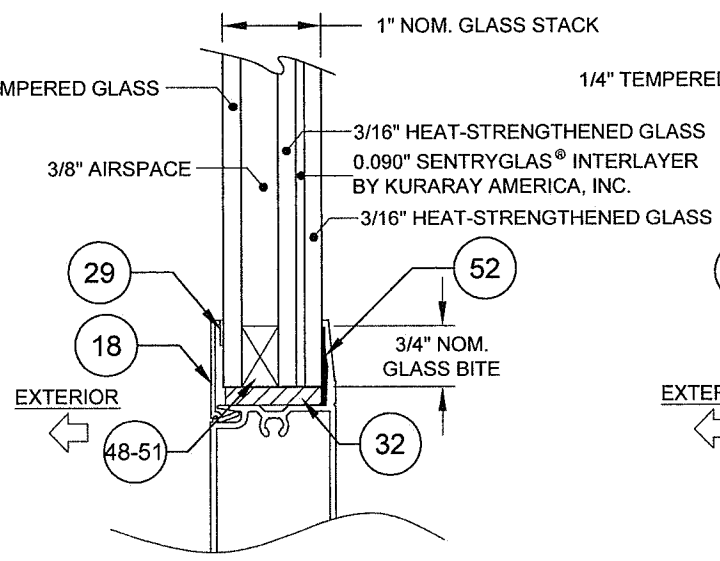
	A. LYNN MILLER, P.E. P.E.# 58705
--	-------------------------------------



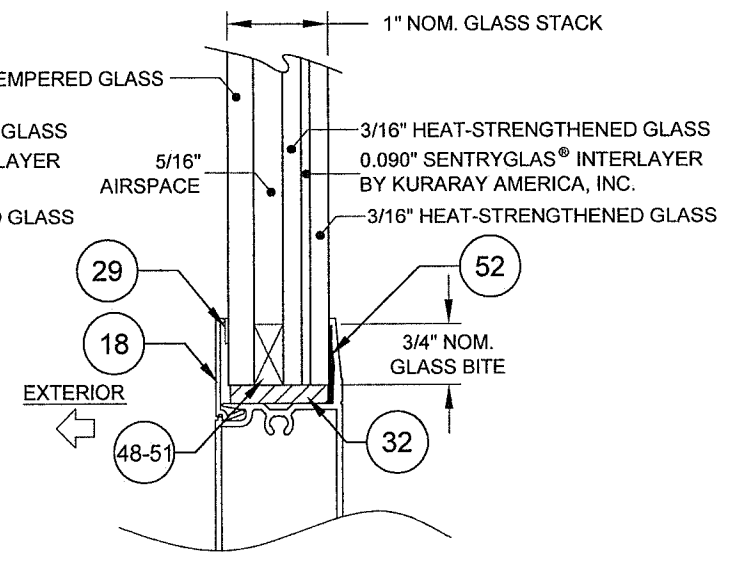
**GLASS TYPE 1**



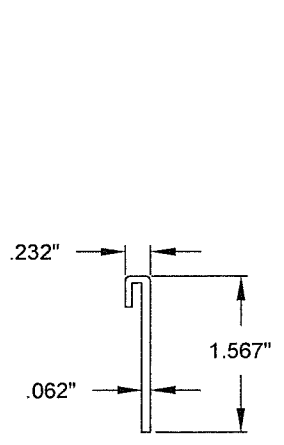
**GLASS TYPE 2**



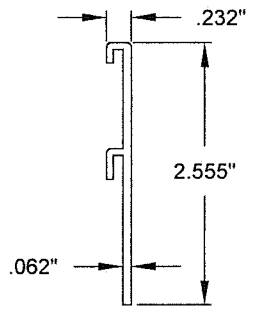
**GLASS TYPE 3**



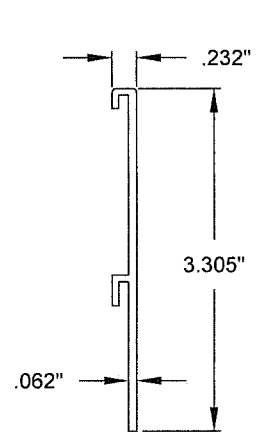
**GLASS TYPE 4**



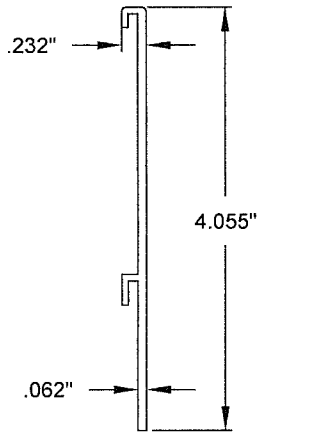
**40 SILL RISER, FLAT FLUSH, 1-1/2"**



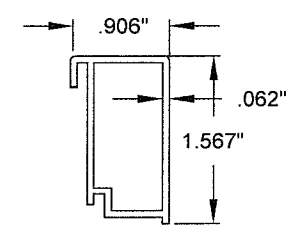
**41 SILL RISER, FLAT LOW, 2-1/2"**



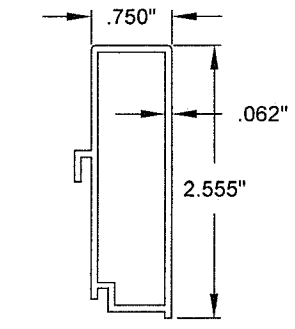
**42 SILL RISER, FLAT MEDIUM, 3-1/4"**



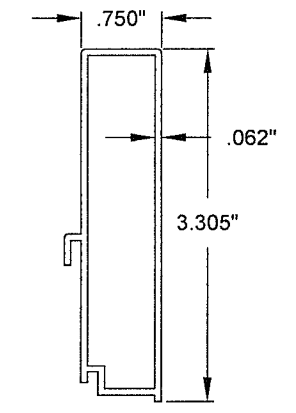
**43 SILL RISER, FLAT HIGH, 4"**



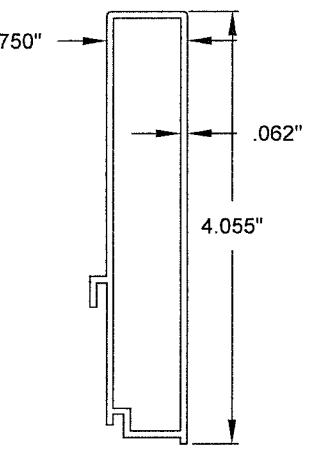
**44 SILL RISER, BOX FLUSH, 1-1/2"**



**45 SILL RISER, BOX LOW, 2-1/2"**

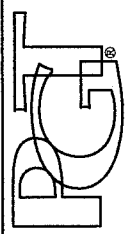


**46 SILL RISER, BOX MEDIUM, 3-1/4"**



**47 SILL RISER, BOX HIGH, 4"**

Revision:

PREPARED BY A. LYNN MILLER 1070 TECHNOLOGY DRIVE N. VENICE, FL 34275 (941) 480-1600	REGISTRATION #29296	08/08/20
	COPYRIGHT © 2020 PGT INDUSTRIES, INC., LIMITED LICENSE TO MAKE COPIES FOR PERMITTING.	
 1070 TECHNOLOGY DRIVE N. VENICE, FL 34275 (941) 480-1600	SERIES 770 ALUM. SGD, ANCHORLESS JAMB (LM)	JENS ROSOWSKI
	GLAZING DETAILS & RISER EXTS.	SGD770-LM-FPA1
Sheet	5 OF 5	
Series	Desc.	Title

ANTHONY LYNN MILLER  
 LICENSE  
 No. 58705  
 02/8/20  
 STATE OF FLORIDA  
 PROFESSIONAL ENGINEER  
 A. LYNN MILLER, P.E.  
 P.E.# 58705